

TERRA Terminal line amplifiers, series DA126, DA127, DA136, DA137



Manufacturer: TERRA 

Type of amplifier: line/subtrunk

GaAs two-cycle output stage; changeable backward channel band owing to built in diplexer modules; built in inverted line equalizer; built in interstage modules of attenuator and line equalizer which improve amplifier technical specifications; damp-proof shielded molded case; static power supply unit; distant feed supply through Input HF-port; protection against voltage surge at inputs and outputs.

Advantages:

- GaAs two-cycle output stage;
- Changeable backward channel band owing to built in diplexer modules;
- Built in inverted line equalizer;
- Built in interstage modules of attenuator and line equalizer which improve amplifier technical specifications;
- Damp-proof shielded molded case;
- Static power supply unit;
- Distant feed supply through Input HF-port;
- Protection against voltage surge at inputs and outputs.

You can familiarize yourself with the list of inserts in TERRA Terminal line amplifiers, series DA126, DA127, DA136, DA137 and their technical specifications [here](#).

Technical specifications:

Type	DA12x	DA12xP	DA13x	DA13xP
Frequency range*	47 / 75 / 87 - 862 MHz			
Backward channel*	5-30 / 55 / 65 MHz			
Input and output impedance	75 Ω			
Effective gain, 20 °C	36 dB			
Amplitude-frequency characteristic unevenness	±0.75 dB			
Reflectance factor at the input and output	18 dB/40 MHz - 1.5 dB/octave			
Input attenuator	0 - 18 dB			
Input line equalizer	0 - 18 dB			
Inverted line equalizer	0 - 9 dB with an interval 1 dB			
Noise figure	max. 6 dB			

Output level IMD3=60 dB (DIN45004B)	122 dB μ V		127 dB μ V	
Output level IMD2=60 dB (EN50083-3)	118 dB μ V		122 dB μ V	
Output level (CTB, EN50083-3)**	108 dB μ V (42 channels)		111 dB μ V (42 channels)	
Output level (CSO, EN50083-3)**	110 dB μ V (42 channels)		112 dB μ V (42 channels)	
Output level (XMOD, EN50083-3)**	108 dB μ V (42 channels)		111 dB μ V (42 channels)	
Source voltage, 50 Hz	24 ÷ 65 V	187 ÷ 250 V	24 ÷ 65 V	187 ÷ 250 V
Wattage, max.	12.5 W	11 W	15.5 W	13.5 W
Current consumption	24 V AC	0.77 A	-	0.94 A
	42 V AC	0.49 A	-	0.59 A
	65 V AC	0.36 A	-	0.43 A
Attenuation coefficient at the test terminal at the input (non directional)	-20 ± 2.0 dB			
Attenuation coefficient at the test terminal at the output (directional)	-20 ± 0.5 dB			
Input connection type ***	PG11 or F			
Output connection type ***	F			
Test terminal connection type	F			
Shielded factor	>80 dB			
Case protection rating	IP64			
Operating temperature range	-20 °C ÷ +50 °C			
Dimensions	180 × 132 × 76 mm (case); 213 × 132 × 76 mm (adjustment dimensions)			
Weight (packed)	1.6 kg	1.7 kg	1.6 kg	1.7 kg

* - frequency range depends on built in diplexer.

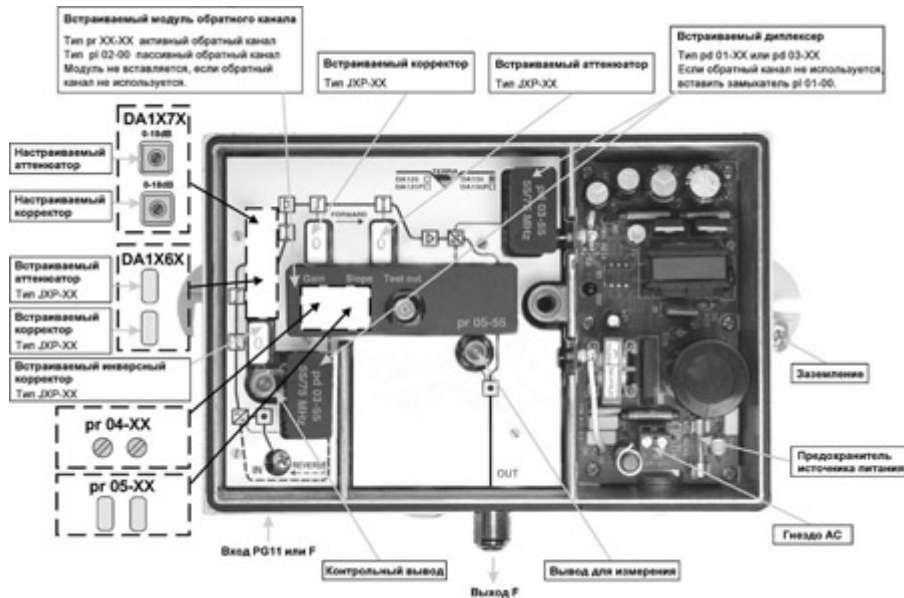
** - output level (CTB, CSO, XMOD) is measured with an interstage line equalizer 6 dB.

*** - the amplifier is available with input contact sockets PG11 or F-connector.

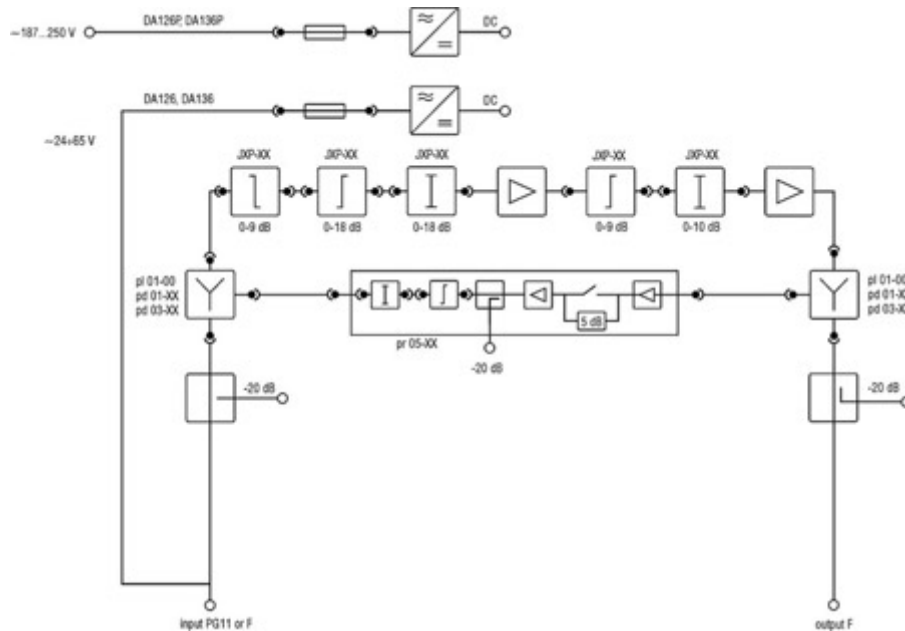
TERRA terminal line amplifiers classification, series DA12x, DA13x:



TERRA Terminal line amplifiers, series DA126, DA127, DA136, DA137:



TERRA Terminal line amplifiers DA1x6x block-diagram:



TERRA Terminal line amplifiers DA1x7x block-diagram:

